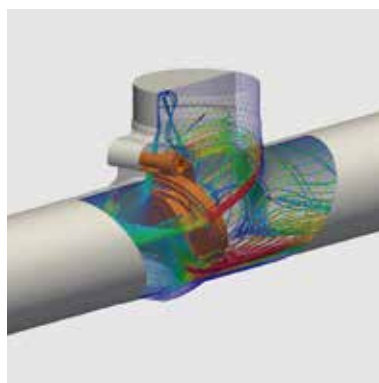




**CMO VALVES**  
manufacturing the valve you need

# 32A SERIES



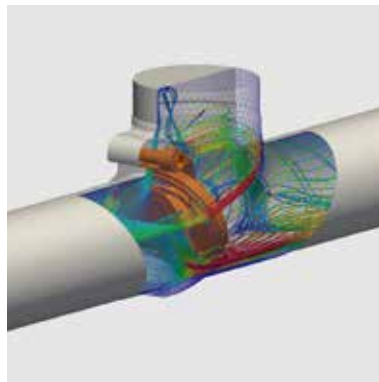
## FABRICATION RANGE *SWING CHECK VALVES*

### UTILIZATION:

- Swing check valves used to stop the return of the fluid in case of a lack of pressure, designed to work both with clean and dirty waters.
- It is 100% Water tight.

# 32 - SERIES

## SWING CHECK VALVES

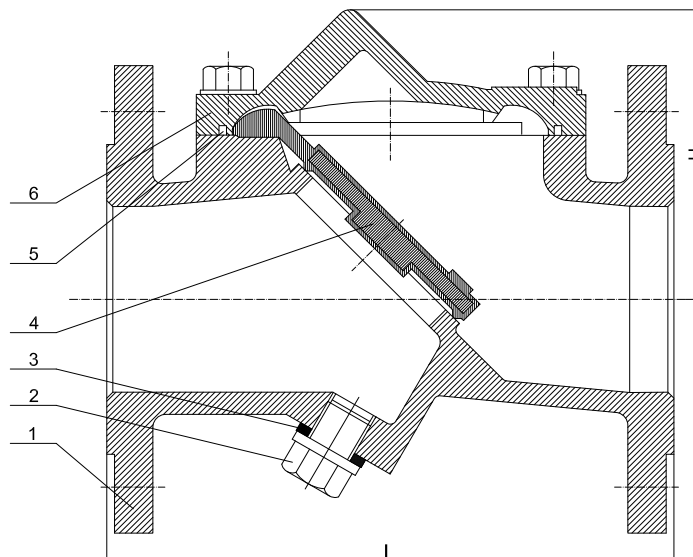


**MAIN FEATURES:**

- 100% water tight.
- Stainless steel bolts.
- Stainless steel purge plug.
- WRAS certificate for drinking water.
- Max. working pressure according to design pressure PN10/16.
- Diferential pressure to open 0,3 bar.
- Working temperature between -10°C and 90°C.

**STANDARDS APPLIED:**

- Hydrostatic tests according to EN 12266-1, class A.
- EC Directive.
- Distance between flanges according to DIN 3202 F6.
- Side flanges according to ISO 7005-2.



**DIMENSIONS**

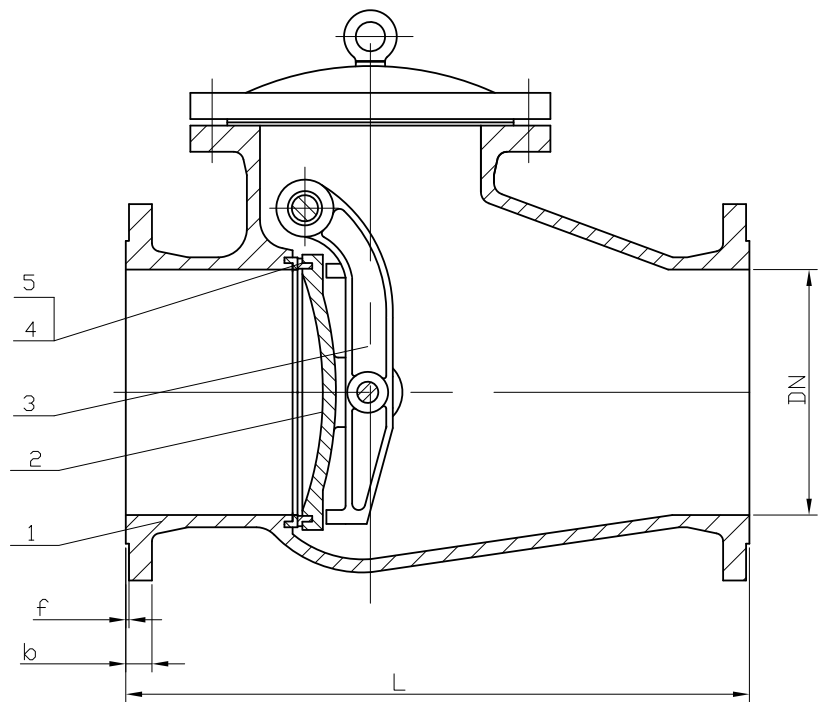
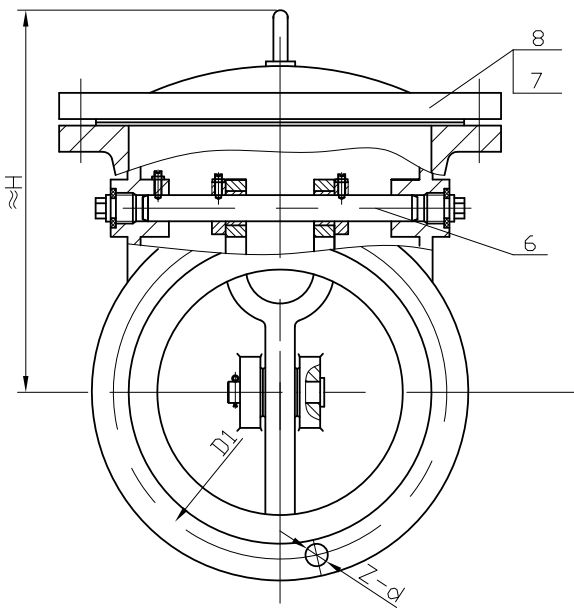
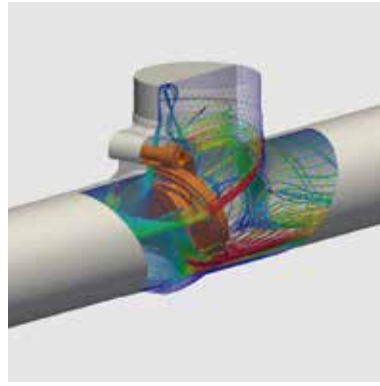
DN	L	H	Weight
50	200	83	11,0
65	240	90	13,0
80	260	95	17,0
100	300	110	28,0
125	350	135	38,0
150	400	156	50,0
200	500	186	80,0
250	600	214	115,0
300	700	245	160,0
350	800	360	230,0
400	900	420	315,0

**DESCRIPTION**

<b>1</b>	<b>BODY</b>	GJS500
<b>2</b>	<b>PURGE PLUG</b>	A2
<b>3</b>	<b>MINIPAD</b>	PTFE
<b>4</b>	<b>DISC</b>	GJS500 + EPDM
<b>5</b>	<b>GASKET</b>	epdm
<b>6</b>	<b>BONNET</b>	GJS500
	<b>BOLT</b>	A2
	<b>PAINTING RAL 5015</b>	Epoxy 250 µm

The images and drawings are non contractual.  
The specifications of the shown products could vary without previous notice.

**32 - SERIES**  
SWING CHECK VALVES



**DIMENSIONS**

DN	L	H	Weight
450	1000	595	410,0
500	1100	650	560,0
600	1300	704	780,0

**DESCRIPTION**

<b>1</b>	<i>BODY</i>	<i>GJS500</i>
<b>2</b>	<i>DISC</i>	<i>GJS500</i>
<b>3</b>	<i>LEVER ARM</i>	<i>GJS500</i>
<b>4</b>	<i>DISC SEAT RING</i>	<i>EPDM</i>
<b>5</b>	<i>BODY SEAT RING</i>	<i>BRASS</i>
<b>6</b>	<i>SHAFT</i>	<i>AISI 420</i>
<b>7</b>	<i>BONNET</i>	<i>GJS500</i>
<b>8</b>	<i>GASKET</i>	<i>EPDM</i>
	<i>PAINTING RAL 5015</i>	<i>Epoxy 250 µm</i>